

ML719G Military-grade rugged switch

Military-Grade Design for Harsh Environments
Ensuring Reliable Communication and Security in Mission-Critical Operations

everwith

EVERWITH.COM.TW



Product Overview

This Rugged product is designed for extreme Environments and also complies with MIL-Standard criteria.

Operate easily with common RJ45 connector and low technical require. Offering both convenience and cost efficiency.

With high-bandwidth configuration and a rugged design, delivers stable performance in harsh conditions. Widely used in defense, aerospace, naval vessels, in-vehicle systems, and industrial automation, making it an ideal core device for mission-critical network communications.

Key Features

High Performance & Flexible Connectivity

- 8×10/100/1000 BASE-T(X) Gigabit Ethernet ports
- 4×100/1000/2500 BASE SFP fiber uplink ports
- Full wire-speed, non-blocking switching architecture
- Link Aggregation for bandwidth optimization

Advanced Networking & Synchronization

- Supports Layer 2 / Layer 3 managed features
- Static routing, RIP v1/v2, OSPF
- VRRP (Virtual Router Redundancy Protocol)
- VLAN, QoS, STP / RSTP / MSTP

Security & Network Management

- Port-based access control
- SNMP v1/v2c/v3 support

Military-Grade Protection

- Compliant with MIL-STD-810G (shock, vibration, temperature)
- Compliant with MIL-STD-461G (EMI / EMC)
- Certified with CE, FCC, and VCCI

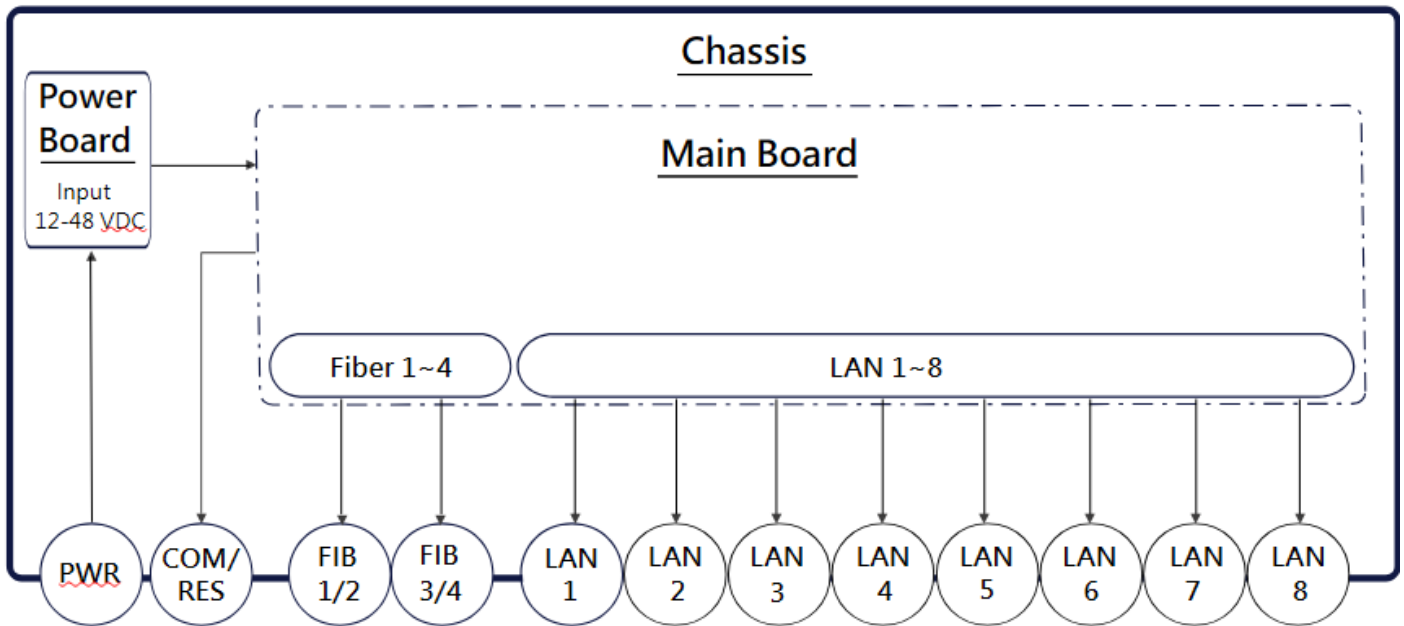
Rugged Design for Harsh Environments

- Wide operating temperature -40°C to +75°C
- Fanless design for enhanced reliability
- High resistance to shock, vibration, heat, and electromagnetic interference

Industrial-Grade Hardware Design

- Rugged AL6061 aluminum with chromate surface treatment
- Sandblasted olive-green coating, customizable paint finish

Block Diagram



Specifications

Interface	RJ45 、 LC
Ethernet Ports	8×10/100/1000 BASE-T(X)
Fiber Ports	4×100/1000/2500 BASE SFP
System Memory	1 GB DDR3 SDRAM
Flash Memory	128 MB
Power Input	12-48 VDC (support dual-power input redundant)
Operating Temperature	-40°C to +75°C
Chassis Material	AL6061 aluminum with chromate surface treatment, sandblasted olive-green coating
Compliance	MIL-STD-810G 、 MIL-STD-461G 、 IP67 、 CE 、 FCC 、 VCCI
Product Size	160 x 200 x 100.3 mm (L x W x H)

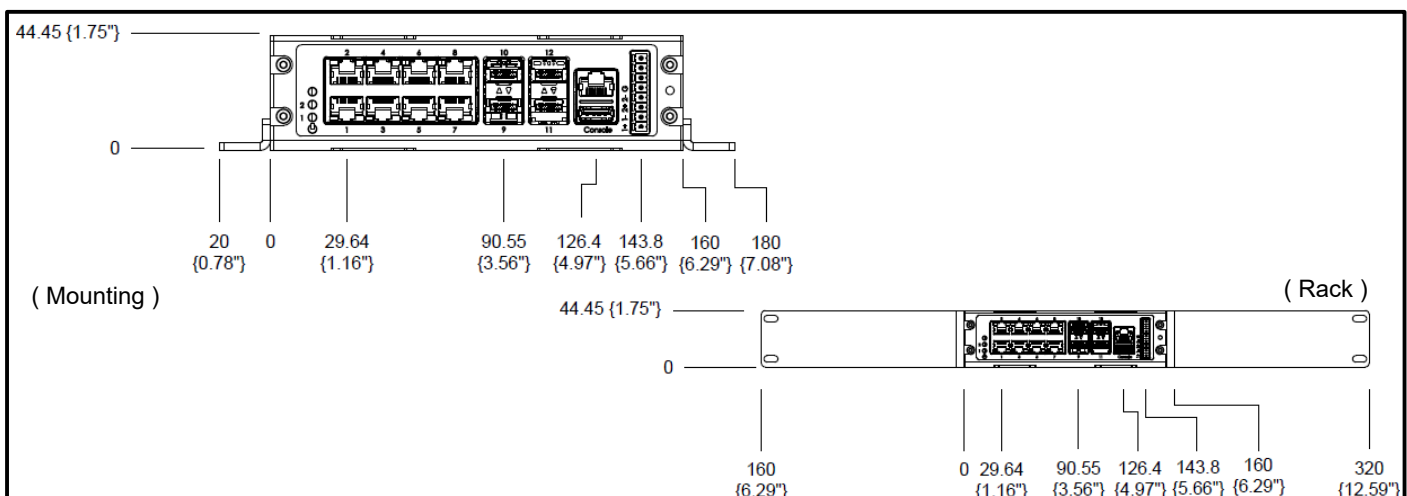
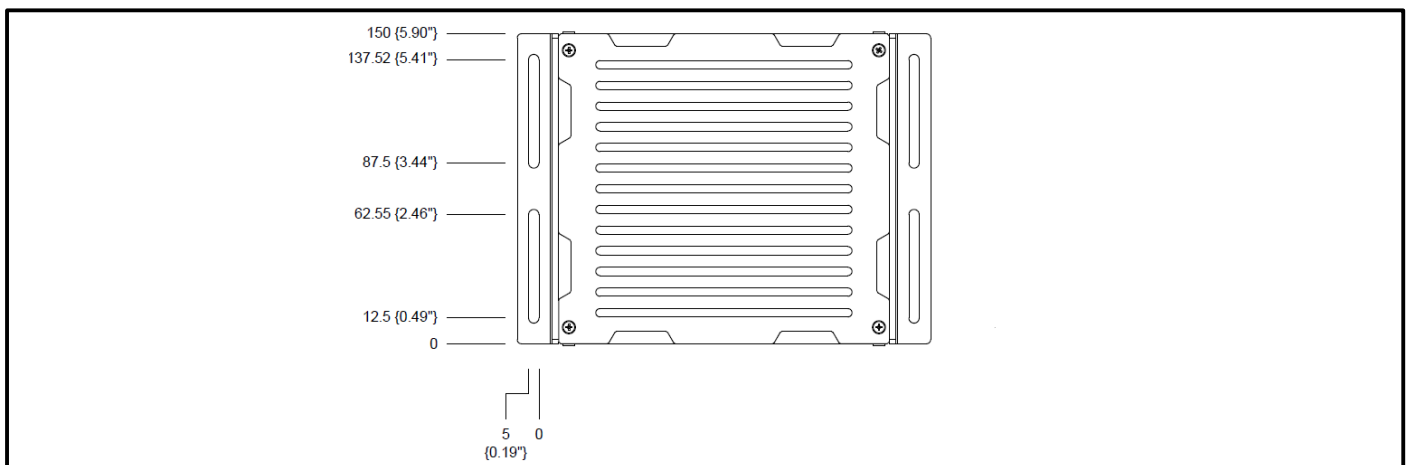
Supported Protocols

- IEEE 802.3 / 802.3u / 802.3ab / 802.3z
- IEEE 802.3ad (Link Aggregation)
- IEEE 802.3x (Flow Control)
- IEEE 802.1D / 802.1w / 802.1s (STP / RSTP / MSTP)
- IEEE 802.1p (QoS)
- IEEE 802.1Q (Tag VLAN)
- IEEE 802.1x (Radius)
- IEEE 802.1ab (LLDP)
- IEEE 802.3az (EEE)

System & Hardware Features

- Store-and-Forward switching architecture
- Auto negotiation
- Half / Full duplex flow control
- Auto MDI/MDIX
- RJ-45 console port
- USB configuration backup interface (Type A)

Dimension Drawing



- All dimensions are in millimeters (mm)
- Dimensions are subject to change without prior notice.

ML719G Selection

Model	10/100/1000TX	100FX Ports	100FX Option	1000FX Ports	1000FX Option	Power Input	Color	RACK bracket	Mounting bracket
ML719G	4P	NE	NM	N	0	DC	GR	1U	M
	8P	2E	MM	2	A		BL		X
		4E	SM	4	B				
					C				
					D				

Example :

ML719G-8P-4E-SM-2A-DC-GR-1U-M

Product Code Definition :

- 4P : 4 Ethernet ports
- 8P : 8 Ethernet ports
- NE : No 100FX fiber ports
- 2E : 2 x 100FX fiber ports
- 4E : 4 x 100FX fiber ports
- NM : No 100FX fiber module
- MM : Multi Mode 2 km
- SM : Single Mode 20 km
- N : No 1000FX fiber ports
- 2 : 2 x 1000FX fiber ports
- 4 : 4 x 1000FX fiber ports
- 0 : No 1000FX fiber module
- A : MM-SX 550 m
- B : MM-SX 2 km
- C : SM-LX 10 km
- D : SM-LX 20 km
- DC : 12-48 VDC Redundant
- GR : Green
- BL : Black
- 1U : 19" 1U RACK bracket
- M : Mounting bracket
- X : Without mounting bracket